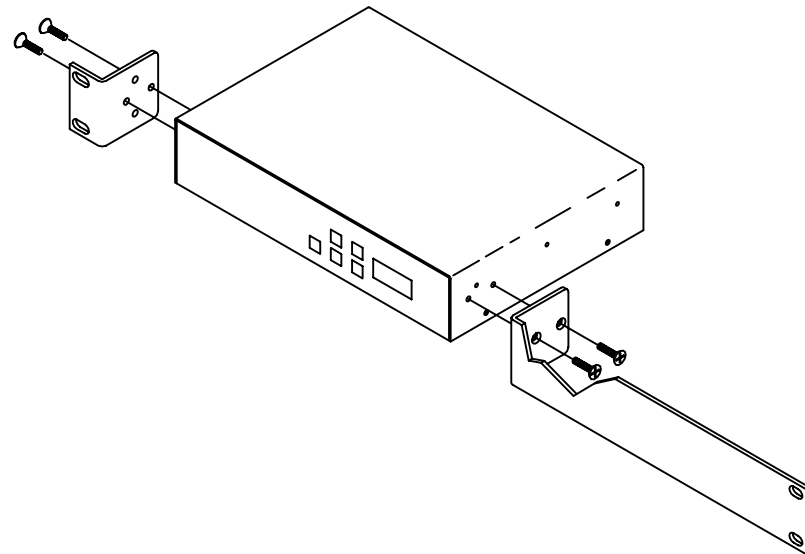


**UNLESS OTHERWISE SPECIFIED:**  
 DECIMAL DIMENSIONS INCLUDING HOLES XX ± .010  
 XXX ± .005  
 FRACTIONAL DIMENSIONS INCLUDING HOLES ± 1/64  
 ANGLES ± 1°  
 SURFACE FLATNESS .003 TIR PER LINEAR INCH.  
 ALL DIMENSIONS IN INCHES.  
 DO NOT SCALE THIS DRAWING.

SYM	ECO NO.	DESCRIPTION	DATE	APPR.
*** REVISIONS ***				
DRAWN	DATE	<i>Contemporary Research</i> TITLE PRODUCT DRAWING OPTIONS FOR RK1 RACKMOUNT BRACKETS		
MEO	07/23/02			
CHECKED	DATE	SCALE	DWG. NO.	
		NONE	950-5008-060	
APPROVED	DATE	SHT	1 OF 2	
RELEASED	DATE	FILE	950-5008-060_PD.DWG	



TITLE	SCALE	DWG. NO.
PRODUCT DRAWING OPTIONS FOR RK1 RACKMOUNT BRACKETS	NONE	950-5008-060
A	SCALE	DWG. NO.
	NONE	950-5008-060
FILE	SHT	1 OF 2
950-5008-060_PD.DWG	2 OF 2	