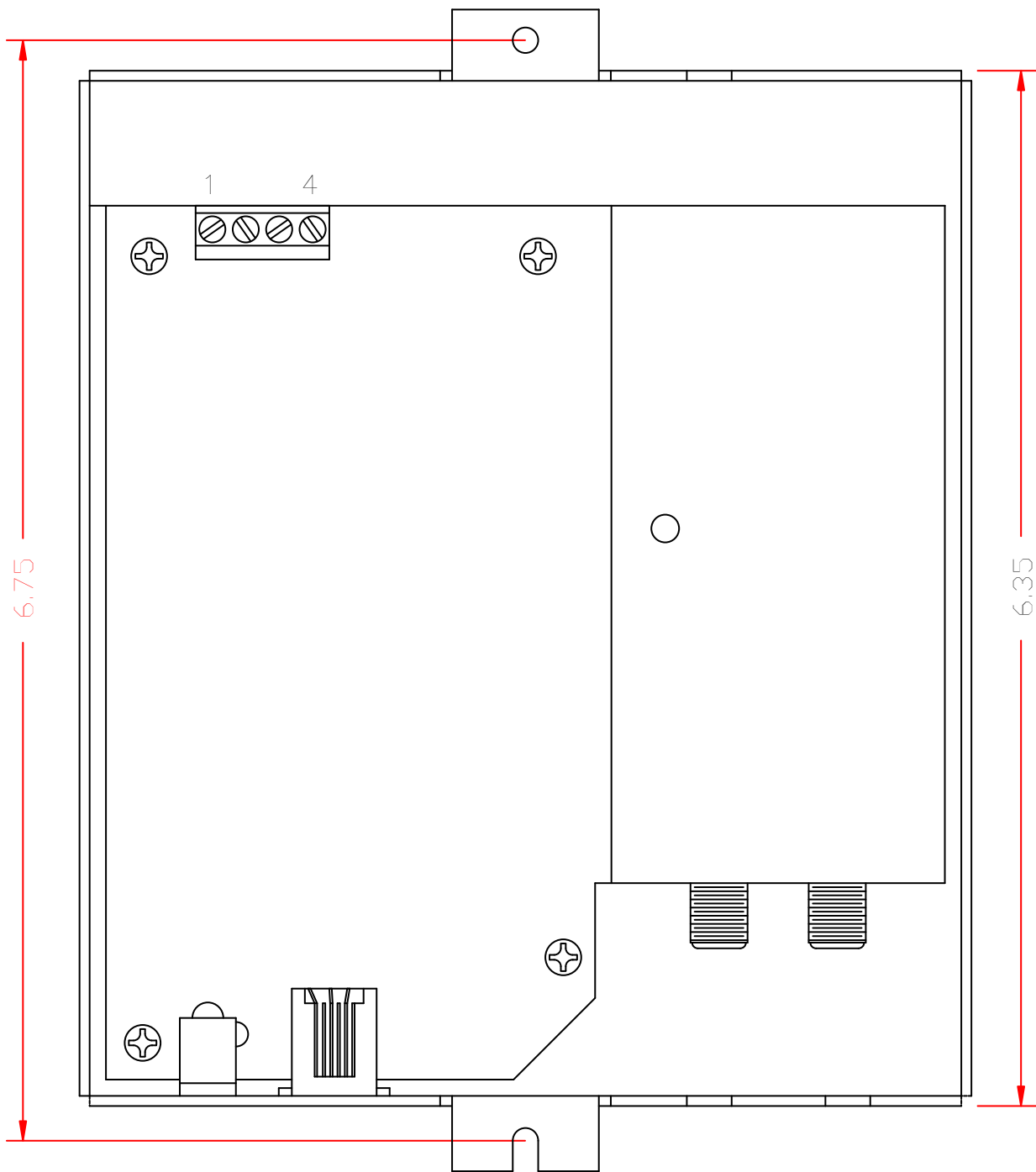


UNLESS OTHERWISE SPECIFIED:

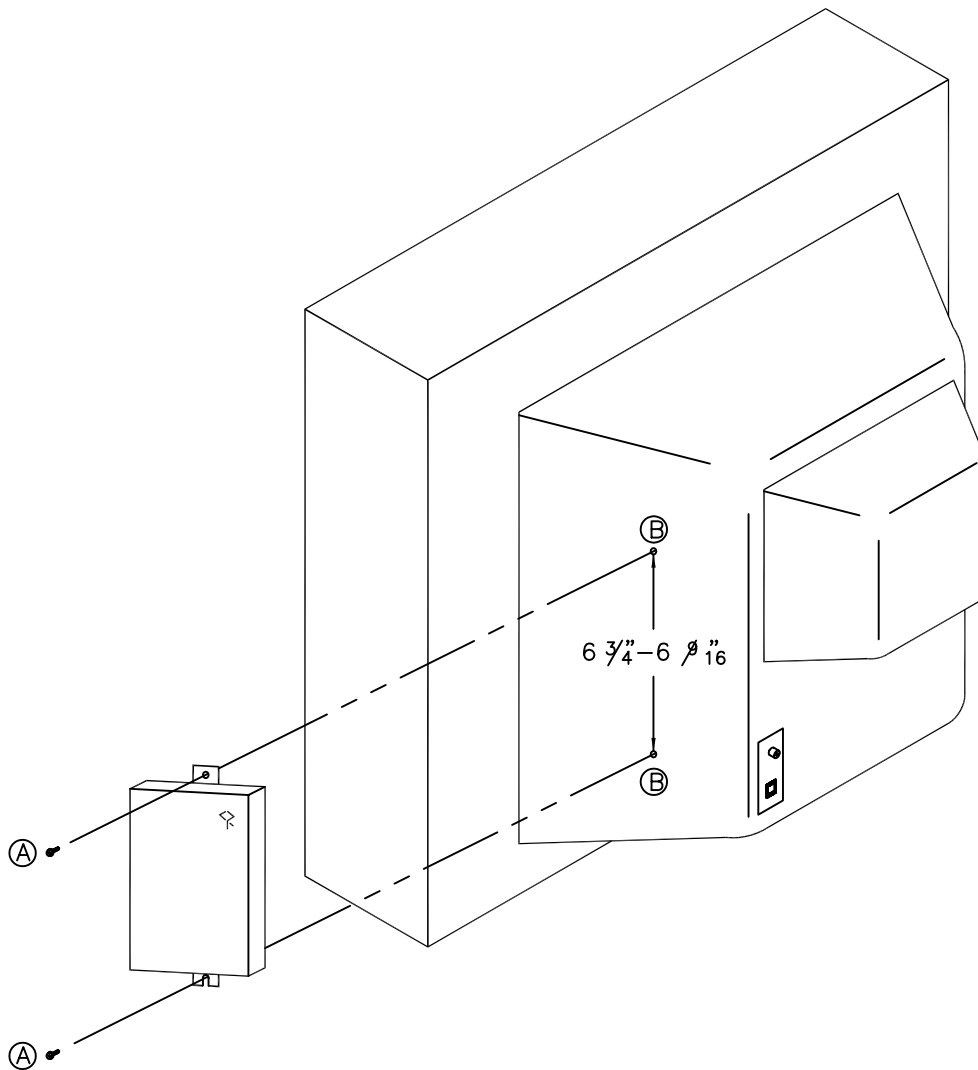
DECIMAL DIMENSIONS INCLUDING HOLES XX ±.010
 xxx ±.005
 FRACTIONAL DIMENSIONS INCLUDING HOLES ± 1/64
 ANGLES ± 1°
 SURFACE FLATNESS .003 TIR PER LINEAR INCH.
 ALL DIMENSIONS IN INCHES.
 DO NOT SCALE THIS DRAWING.

SYM	ECO. NO.	DESCRIPTION	DATE	APPR.
**** REVISIONS ****				
DRAWN	DATE	Contemporary Research	17630 Davenport Suite 113 Dallas, Texas 75252 contemporaryresearch.com	
MEO	06/24/02			
CHECKED	DATE	TITLE PRODUCT DRAWING iCC2 COAX 2-WAY TELEVISION CONTROLLER		
APPROVED	DATE	SCALE	DWG. NO.	
RELEASED	DATE	NONE	950-5004	
DIR	FILE	SHT	1 OF 2	
	ICC1_PD.DWG			



Inside View

UNLESS OTHERWISE SPECIFIED		DATE	DESCRIPTION	BY	CHK
DECIMAL DIMENSIONS INCLUDING HOLES	± .010	9/24/02	Contemporary Research		
FRACTIONAL DIMENSIONS INCLUDING HOLES	± .005				
ANGLES	± .1°				
SURFACE FINISHES	SEE THE PER LINE/INCH				
ALL DIMENSIONS IN INCHES					
DO NOT SCALE THIS DRAWING					
REV	DATE	DESCRIPTION	BY	CHK	
1	9/24/02	ISSUE FOR PRODUCTION			
Contemporary Research PRODUCT DRAWING ICC1, ICC2, C-ONLY TELEVISION CONTROLLER			950-5005		



MOUNTING INSTRUCTIONS

1. LOCATE A POSITION FOR THE UNIT ON THE RIGHT SIDE OF TV TOWARD THE REAR ON A STRONG VERTICAL PLASTIC SUPPORT

* DO NOT COVER ANY TV VENT SLOTS

2. DRILL PILOT HOLES (B)
SIZE: #36 (0.106")
OR: $\frac{7}{64}$ (0.109")
3. USE TWO (2) #6 SELF-THREADING SCREWS (A) AND A $\frac{1}{4}$ HEX NUT DRIVER