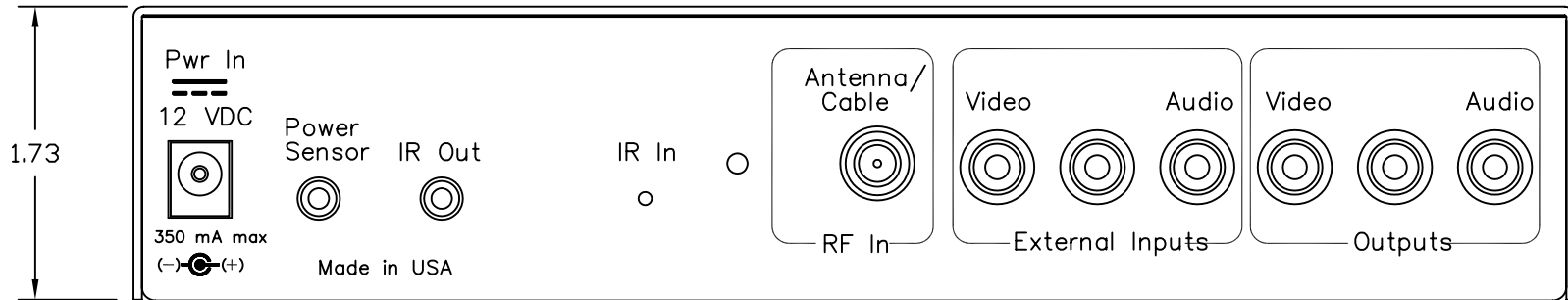


FRONT VIEW



REAR VIEW

NOTES:

1. OVERALL BOX DEPTH IS 5.95 INCHES.
2. REFERENCE DRAWING 950-5008-050 FOR RK2 RACKMOUNT BRACKET OPTIONS.

UNLESS OTHERWISE SPECIFIED:

DECIMAL DIMENSIONS INCLUDING HOLES XX ± .010
 XXX ± .005
 FRACTIONAL DIMENSIONS INCLUDING HOLES ± 1/64
 ANGLES ± 1°
 SURFACE FLATNESS .003 TIR PER LINEAR INCH.
 ALL DIMENSIONS IN INCHES.
 DO NOT SCALE THIS DRAWING.

| SYM | ECO NO. | DESCRIPTION | DATE | APPR. |
|---------------------|----------|--|--------------------------|-------|
| **** REVISIONS **** | | | | |
| DRAWN | DATE | <i>Contemporary Research</i> | | |
| MEO | 06/24/02 | | | |
| CHECKED | DATE | TITLE PRODUCT DRAWING ICC2-IRC IR TV CONTROLLER | | |
| APPROVED | DATE | | | |
| RELEASED | DATE | SCALE | DWG. NO. 950-5022 | |
| | | NONE | | |
| | | SHT | | |
| | | 1 OF 1 | | |
| DIR | FILE | ICC2-IRC_PD.DWG | | |