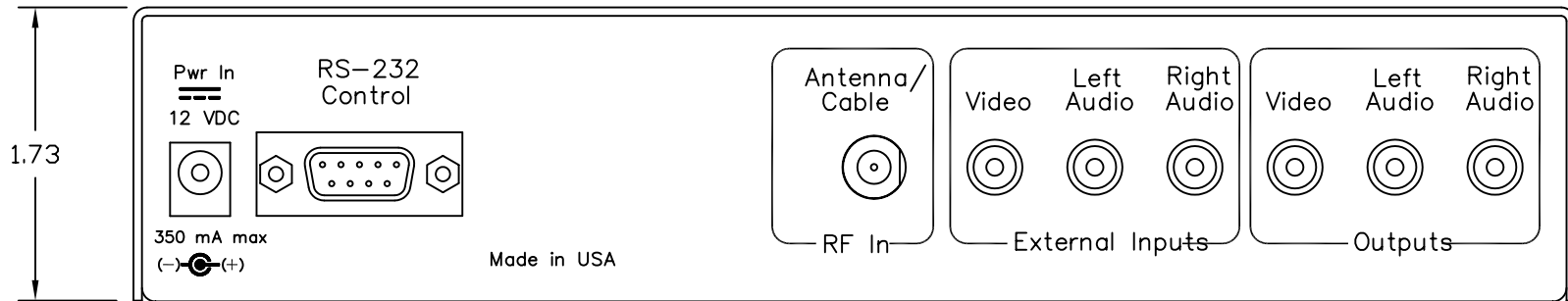


FRONT VIEW



REAR VIEW

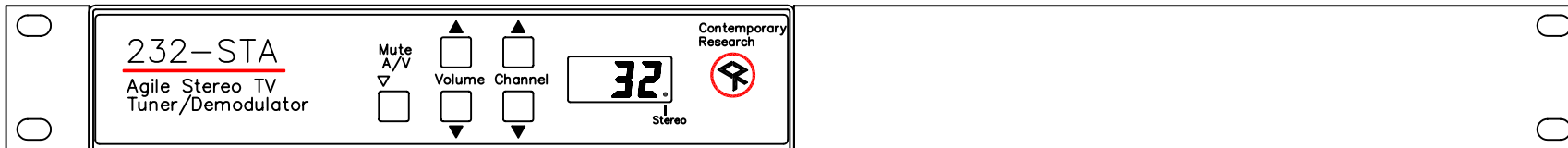
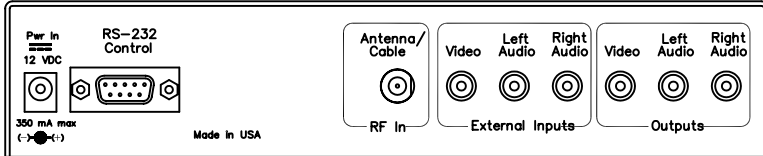
NOTES:

1. OVERALL BOX DEPTH IS 5.95 INCHES.
2. REFERENCE DRAWINGS 950-5008-050 AND 950-5008-060 FOR RK1 AND RK2 RACKMOUNT BRACKET OPTIONS.

UNLESS OTHERWISE SPECIFIED:

DECIMAL DIMENSIONS INCLUDING HOLES XX ± .010
 XXX ± .005
 FRACTIONAL DIMENSIONS INCLUDING HOLES ± 1/64
 ANGLES ± 1°
 SURFACE FLATNESS .003 TIR PER LINEAR INCH.
 ALL DIMENSIONS IN INCHES.
 DO NOT SCALE THIS DRAWING.

| SYM | ECO NO. | DESCRIPTION | DATE | APPR. |
|---------------------|---------|----------------|--------------------|-----------------------------------------------------------|
| **** REVISIONS **** | | | | |
| DRAWN | MEO | DATE | 07/23/02 | <i>Contemporary Research</i> |
| CHECKED | | DATE | | |
| APPROVED | | DATE | | TITLE |
| RELEASED | | DATE | | PRODUCT DRAWING 232-STA AGILE STEREO TV TUNER/DEMOD |
| DIR | FILE | 232-STA_PD.DWG | SCALE | DWG. NO. |
| | | | NONE SHT 1 OF 1 | 950-5009 |



UNLESS OTHERWISE SPECIFIED:
 DECIMAL DIMENSIONS INCLUDING HOLES .XX ± .010
 .XXX ± .005
 FRACTIONAL DIMENSIONS INCLUDING HOLES ± 1/64
 ANGLES ± 1°
 SURFACE FLATNESS .003 TIR PER LINEAR INCH.
 ALL DIMENSIONS IN INCHES.
 DO NOT SCALE THIS DRAWING.

| SYM | ECO NO. | DESCRIPTION | DATE | APPR. |
|---------------------|----------|-------------------------------------------------------------------------------------------------------------------------|----------------------|-------|
| **** REVISIONS **** | | | | |
| DRAWN | DATE | <i>Contemporary Research</i> TITLE PRODUCT DRAWING 232-STA w/RACKMOUNT BRACKETS AGILE STEREO TV TUNER/DEMOM | | |
| MEO | 07/23/02 | | | |
| CHECKED | DATE | SCALE NONE DWG. NO. 950-5009 | | |
| APPROVED | DATE | | | |
| RELEASED | DATE | SCALE | DWG. NO. 950-5009 | |
| DIR | FILE | SHT | | |
| | | 1 OF 1 | | |
| | | 232-STA_RM_PD.DWG | | |